

METHOD AND SYSTEM FOR DETECTING AND PERFORMING...

Michael Dwayne Knox

10/519.028

REPLACEMENT SHEET

1/4

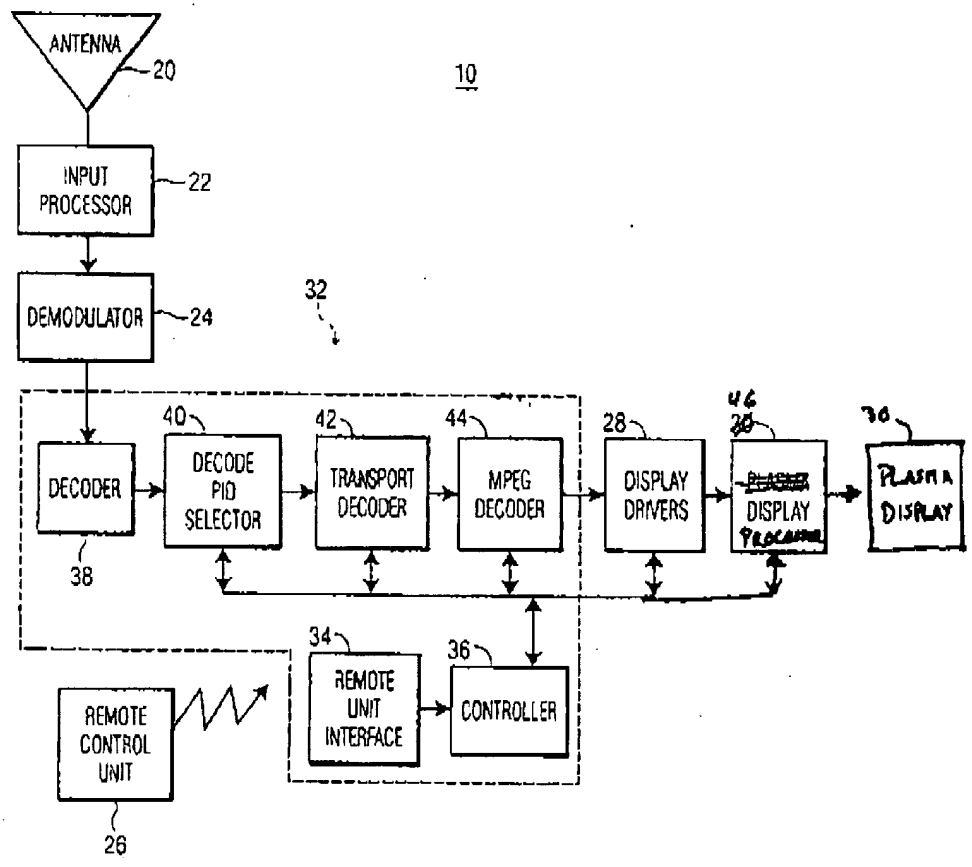


FIG. 1

METHOD AND SYSTEM FOR DETECTING AND PERFORMING
Michael Dwayne Knox
10519,028
REPLACEMENT SHEET

2/4

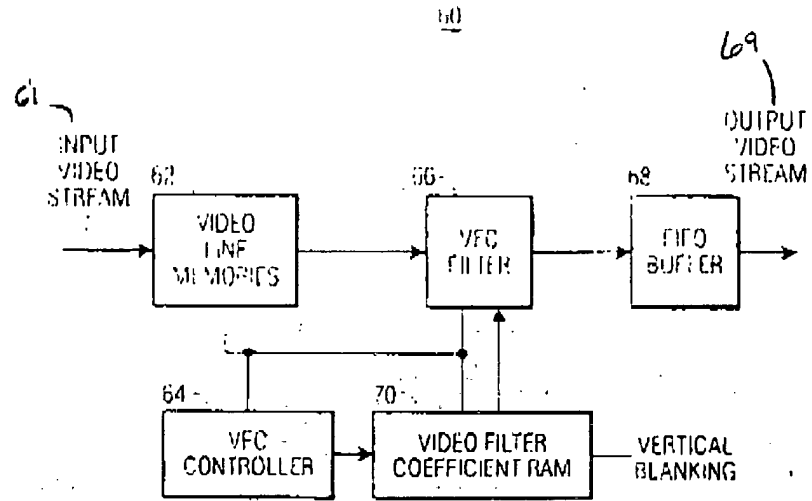


FIG. 2